

HARRINGTON

PYR-A SERIES Remote LED Annunciators

Harrington Signal Inc.
P.O. Box 590, Moline, Illinois 61266-0590
2519 4th Avenue, Moline, Illinois 61265
(309) 762-0731, Fax: (309) 762-8215, www.harringtonsignal.com

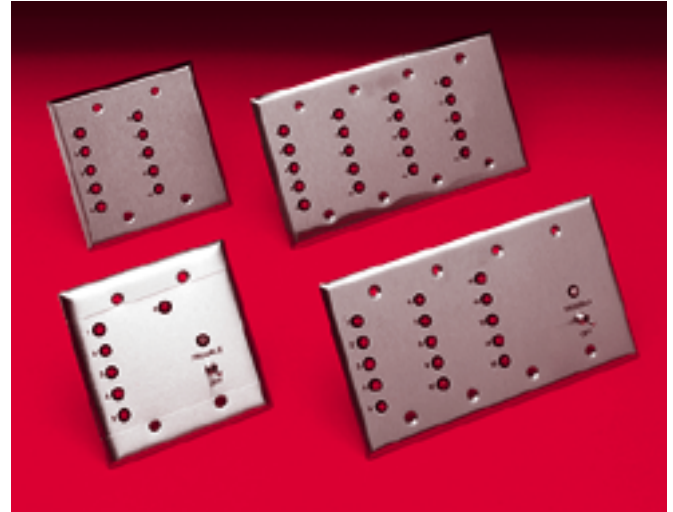
ISO 9001
Certified
Management
System

FEATURES

- UL Listed for use with the HS-3000 FACP
- 12-24VDC Operating Voltage
- Uses Standard Electrical Boxes
- Surface LED Display
- Brushed Stainless Steel
- Expandable Modular Construction
- Easy to Install
- Economical
- Low Current Draw per Zone
- 2 or 4 Gang Mounting (see ordering information for more details)
- Common Positive (needs switched negative from the HS-3000)
- 1 Year Warranty Against Defects

GENERAL DESCRIPTION

The Harrington series PYR-A Remote Annunciators are designed for use with the Harrington HS-3000 series fire alarm control panels, which supervises the interconnect wiring between the control panel and the PYR-A series annunciator.



The PYR-A Annunciator can be used with any 12-24VDC system providing switched negative (-) per zone of annunciation (see note #1 on diagram).

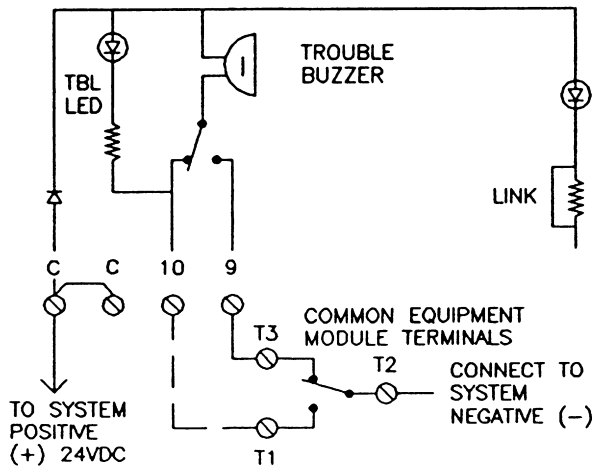
These units can be mounted on 2-4 gang switch box covers for flush mounting, or, 2-4 gang FS boxes for surface mounting.

ORDERING INFORMATION

Part Number	Model Number	Description	Mounting
222-0034	PYR-A-6LB	6 Alarm LED's + Trouble Buzzer	2 Gang/FS-2
222-0035	PYR-A-15LB	15 Alarm LED's + Trouble Buzzer	4 Gang/FS-4
222-0036	PYR-A-10L	10 Alarm LED's or colors to order	2 Gang/FS-2
222-0037	PYR-A-20L	20 Alarm LED's or colors to order	4 Gang/FS-4

TERMINAL CONNECTIONS

LB Feature: Piezo Horn, Trouble Switch & LED



Note: T1, T2, & T3 are on the HS-3000 Control Panel

PYR-A-10L Circuit (Typical)

