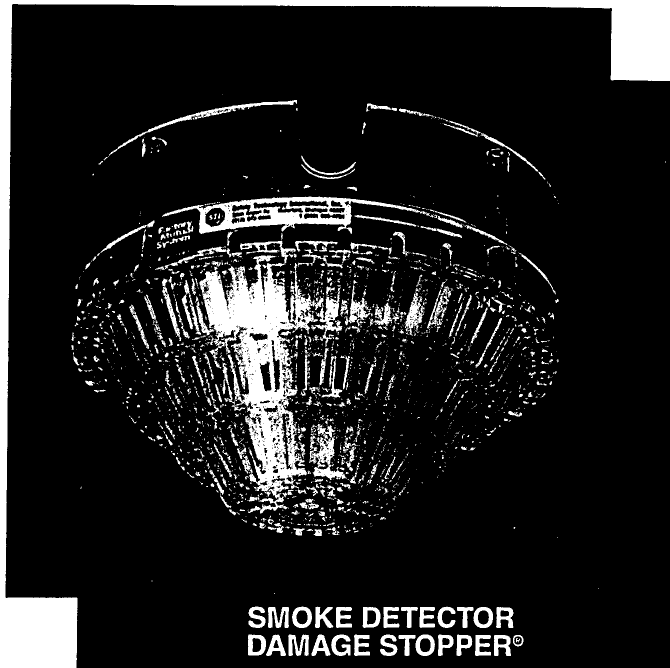


HARRINGTON

Harrington Signal, Inc.
2519 4th Avenue, P.O. Box 590, Moline, Illinois 61265-0590
Phone: (309) 762-0731, Fax: (309) 762-8215

FLUSH-MOUNTED - STI 8100
SURFACE-MOUNTED - STI 8130

TECHNICAL DATA SHEET



**SMOKE DETECTOR
DAMAGE STOPPER®**

DESCRIPTION

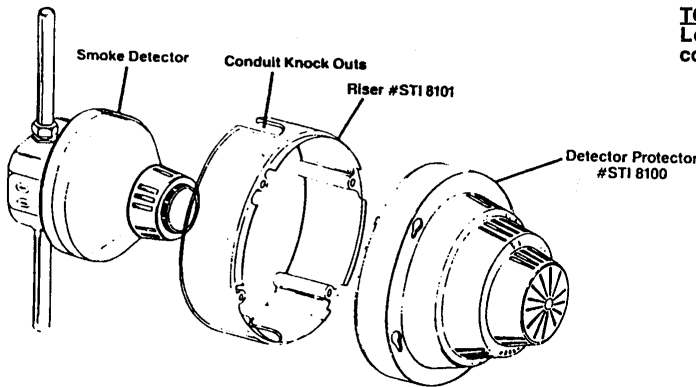
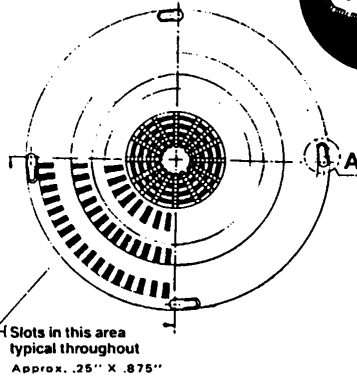
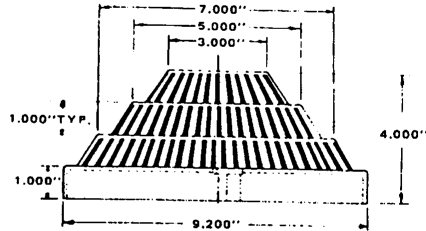
The importance of your smoke detector is too great to risk malfunction from damage--whether accidental or intentional. If such damage is prevalent, the STI Smoke Detector Damage Stopper is a simple, low-cost, easy-to-install solution. Its strong, durable design and molded polycarbonate construction permit the Stopper to take tough knocks in stride. Note: This device will inhibit smoke entry somewhat but if your smoke detectors are being put out of service due to damage, the Smoke Detector Damage Stopper may well be your only solution.

FEATURES

- Factory Mutual approved.
- Two models to fit virtually all smoke detectors, flush-mounted and surface-mounted (with spacer).
- Clear visibility of smoke detector's L.E.D. indicator.
- Easy installation and easy removal for servicing smoke detector.
- Insect repellent may be placed inside Stopper.
- Aesthetically appealing.

AD#98-0030

**TECHNICAL DATA FOR
SMOKE DETECTOR DAMAGE STOPPER®**
PART NO. STI 8100 - FLUSH-MOUNTED
PART NO. STI 8130 - SURFACE-MOUNTED



A damaged smoke detector could make an entire fire alarm system inoperable and negate the early warning purpose for which it was intended. To maintain critical credibility, it may be necessary to install a physical guard to prevent damage by accident or vandalism. STI's Smoke Detector Damage Stopper does exactly that. Note: This device should only be used in areas where abuse of smoke detectors is causing false fire alarms or high maintenance costs.

- Heavy-duty polycarbonate construction to take tough knocks in stride.
- Two models to fit virtually all smoke detectors, flush- and surface-mounted (with spacer).
- Factory Mutual approved.
- Clear visibility of smoke detector's L.E.D. indicator.
- Easy installation and easy removal for servicing smoke detector.
- Aesthetically appealing.
- Insect repellent may be placed inside Stopper.

INSTALLATION FOR FLUSH MOUNTED SMOKE DETECTORS (PART NO. STI 8100)

1. Center Smoke Detector Damage Stopper around smoke detector.
2. Mark four holes for screws.
3. Drill the four holes.
4. Install Stopper over smoke detector with four screws provided.

INSTALLATION FOR SURFACE-MOUNTED SMOKE DETECTORS (PART NO. STI 8130)

1. Center spacer over smoke detector and conduit.
2. Mark four holes for screws.
3. Drill the four holes.
4. Insert conduit knockout tabs as required.
5. Install Smoke Detector Damage Stopper and spacer over smoke detector, using screws provided.

TO SERVICE SMOKE DETECTOR

Loosen four screws, rotate Stopper counter-clockwise and pull.

Tamper proof screws (STI 8102 - 2" & STI 8104 - 4") available for mounting.