

Because Lives, Property and Businesses Aren't Fireproof.



Horn Strobe Guards

Harrington Signal Inc.
2519 4th Avenue, Moline, Illinois 61265
P.O. Box 590, Moline, Illinois 61266-0590
Phone: (800) 577-5758 Local: (309) 762-0731 Fax: (309) 762-8215
Internet: www.harringtonfire.com

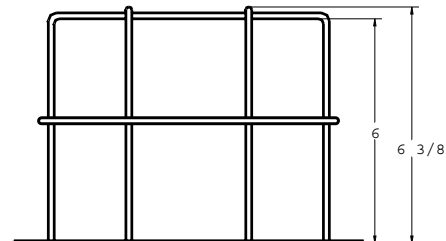
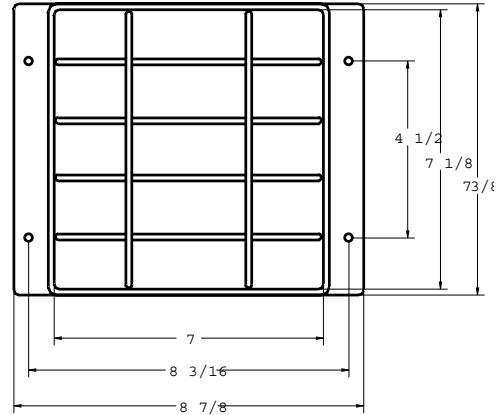


Horn Strobe Guards

The Harrington CHSG wire guard is specifically designed to mount over audible, visual or combination appliances (i.e. horn/strobe). It assists in protecting the device from accidental blows, and also helps to deter vandalism in public areas.

Constructed of heavy gauge tempered steel rod and designed to minimize interference with the operation of the device.

- Durable wire cage design
- Heavy 7 gauge welded construction
- High aesthetic nickel (chrome) finish
- Easy mounting for new installation or retrofit
- Overall inside dimensions: 7" x 7" x 6" deep



All dimensions are in inches.

CHSG

Ordering Information

Model Number	Part Number	Description
CHSG	367-0183	7" x 7" x 6" Wire Guard for Horns and Horn Strobes Chrome Finish

NOTICE: The information contained in this document is intended only as a summary and is subject to change without notice. The devices described in this document have specific instruction sheets which cover various technical, limitation and liability information. Copies of these instruction sheets and the General Product Warning and Limitations Document, which also contains important information are provided with the product and are available from Harrington Signal Inc. Fire Alarm. Information contained in these documents should be consulted before specifying or using the product. For further information or assistance concerning particular problems contact Harrington Signal Inc. Harrington Signal Inc. Fire Alarm reserves the right to change specifications without notice. Quality OEM manufactured for Harrington Signal Inc. Fire Alarm by Space Age Electronics.