



Harrington Signal Inc.  
2519 4th Avenue, Moline, Illinois 61265  
P.O. Box 590, Moline, Illinois 61266-0590  
Phone: (800) 577-5758 Local: (309) 762-0731 Fax: (309) 762-8215  
Internet: www.harringtonfire.com

MEA



## Features

- UL Listed (UL864)
- CSFM Approved
- MEA Approved
- NFPA 72 Compliant
- Input 115 VAC/60 Hz, 1.85 AMP
- Field selectable 24VDC or 12VDC voltage regulated power limited outputs
- 8 amps supply current rated @ 24VDC or 12VDC
- Separate 50mA auxiliary output with built-in and remote reset capability
- Two (2) outputs may be paralleled for more power on an indicating circuit
- Two (2) Style Z Class A or two (2) Style Y Class B FACP inputs
- Two (2) NC dry contact trigger inputs
- Programmable supervised indicating circuit outputs:
  - Four (4) Style Y Class B or Two (2) Style Z Class A or One (1) Style Z Class A and Two (2) Style Y Class B
- Temporal Code 3, Strobe Sync Mode, Steady Mode, Input to Output Follower Mode (maintains synchronization of notification appliance circuit)
- California Educational March Time
- March Time
- Compatible with 12 or 24VDC fire panels
- Filtered and electronically regulated output
- Output loop supervision steered to input 1 or input 2
- Common trouble input and output
- Ground fault detection
- Built-in charger for sealed lead acid or gel type batteries
- Automatic switchover to stand-by battery when AC fails
- Zero voltage drop when switching over to battery backup
- Thermal and short circuit protection

with auto reset

- Circuit breaker battery protection
- Input and output status LED indicators
- AC fail supervision (form "C" contact, 1 amp 28VDC or 115VAC) Factory set for 1 minute with optional 6 hour delay setting (field selectable)
- Battery presence and low battery supervision (form "C" contact, 1 amp / 28VDC or 115VAC)
- Unit includes power supply, red enclosure, cam lock, open frame transformer and battery leads.
- Enclosure dimensions: 15.5"H x 12"W x 4.5"D

## Benefits

The Harrington Signal APS800 Fire Alarm Notification Appliance Circuit Power Supply/Charger is an extremely cost effective 8 amps voltage regulated remote power supply/battery charger. The APS800 may be connected to any 12 or 24 volt Fire Alarm Control Panel (FACP). Primary applications include Notification Appliance Circuit (NAC) expansion (supports ADA requirements) and will provide auxiliary power to support system accessories. The unit delivers regulated and filtered 24 or 12 volt power via four (4) Style Y Class B, two (2) Style Z Class A or two (2) Style Y Class B and one (1) Style Z Class A Notification Appliance Circuits. Additionally, a separate 50mA auxiliary output with reset for four (4)-wire smoke detectors. The 8 amps rated supply current can be divided between the four (4) outputs for powering notification appliances. Each output is rated at 2 amps max., and can be independently programmed for Steady, Temporal Code 3, or Strobe Synchronization. All outputs may be



APS800

programmed for Input to Output Follower Mode (output will follow input, i.e. March Time Input, March Time Output). An individual output of 4 amps is achieved by paralleling 2 outputs. The APS800 in non-alarm condition provides independent loop supervision for Style Z Class A and/or Style Y Class B FACP NAC circuits. In the event of a loop trouble the FACP will be notified via the APS800's steered input (input 1 or input 2). In addition, there are common trouble output terminals (NC, C, NO) which are used to indicate general loop/system trouble. A common trouble input is provided for optional NC (normally closed) devices to report trouble to the FACP. Two (2) FACP signaling outputs can be connected to APS800's inputs. These inputs can then be directed to control supervision and power delivery to any combination of four (4) outputs.

# APS800 Notification Appliance Circuit Power Supply

## Power Supply Specifications

<b>AC Input:</b>	115VAC / 1.85 amps @ 60Hz
<b>Output:</b>	12 - 24VDC Maximum 2.0 amps per output Total of 8 amps in Alarm Condition
<b>Battery:</b>	For 12 VDC operation use a 12VDC / 12AH battery For 24VDC operation use two (2) 12VDC / 12AH batteries connected in series
<b>Stand-by Current:</b>	75mA
<b>EOL Resistor: (end of line)</b>	2.2K (2200 ohm)

## Stand-by Specifications

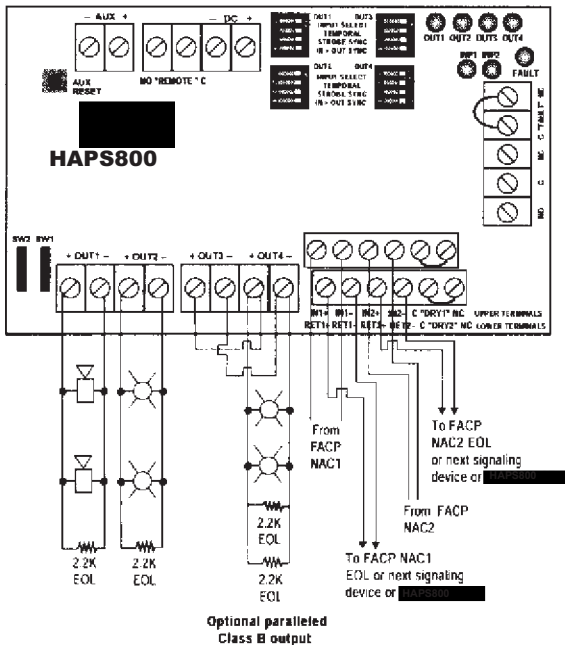
Stand-by Batteries	Stand-by Time	Alarm Output Total Amps/Minute	Aux Output Current
24VDC / 12AH (use two (2) 12VDC batteries in series)	24 Hours	8 Amps/15 Minutes	50 mA
	60 Hours	8 Amps/5 Minutes	-
12VDC / 12AH	24 Hours	8 Amps/15 Minutes	50mA
	60 Hours	8 Amps/5 Minutes	-

## Ordering Information

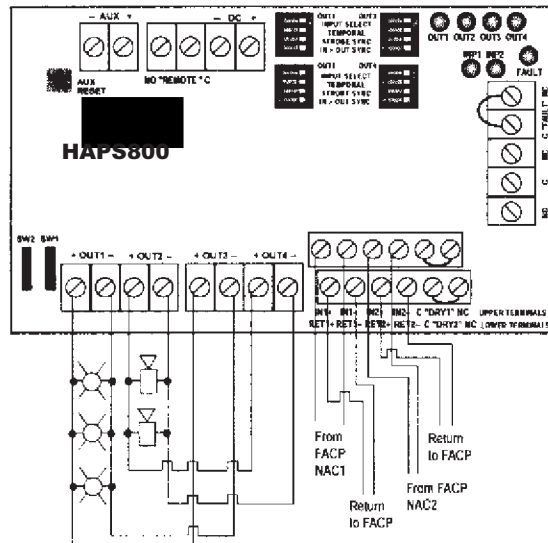
Model Number	Part Number	Description
APS800	331-0097	8 Amp with SYNC option Signal Power Booster, (4) NAC's Y/B or (2) Z/A, requires (2) separate 12VDC batteries, filtered & regulated 12 or 24VDC output in red surface cabinet

## Typical Application Diagrams

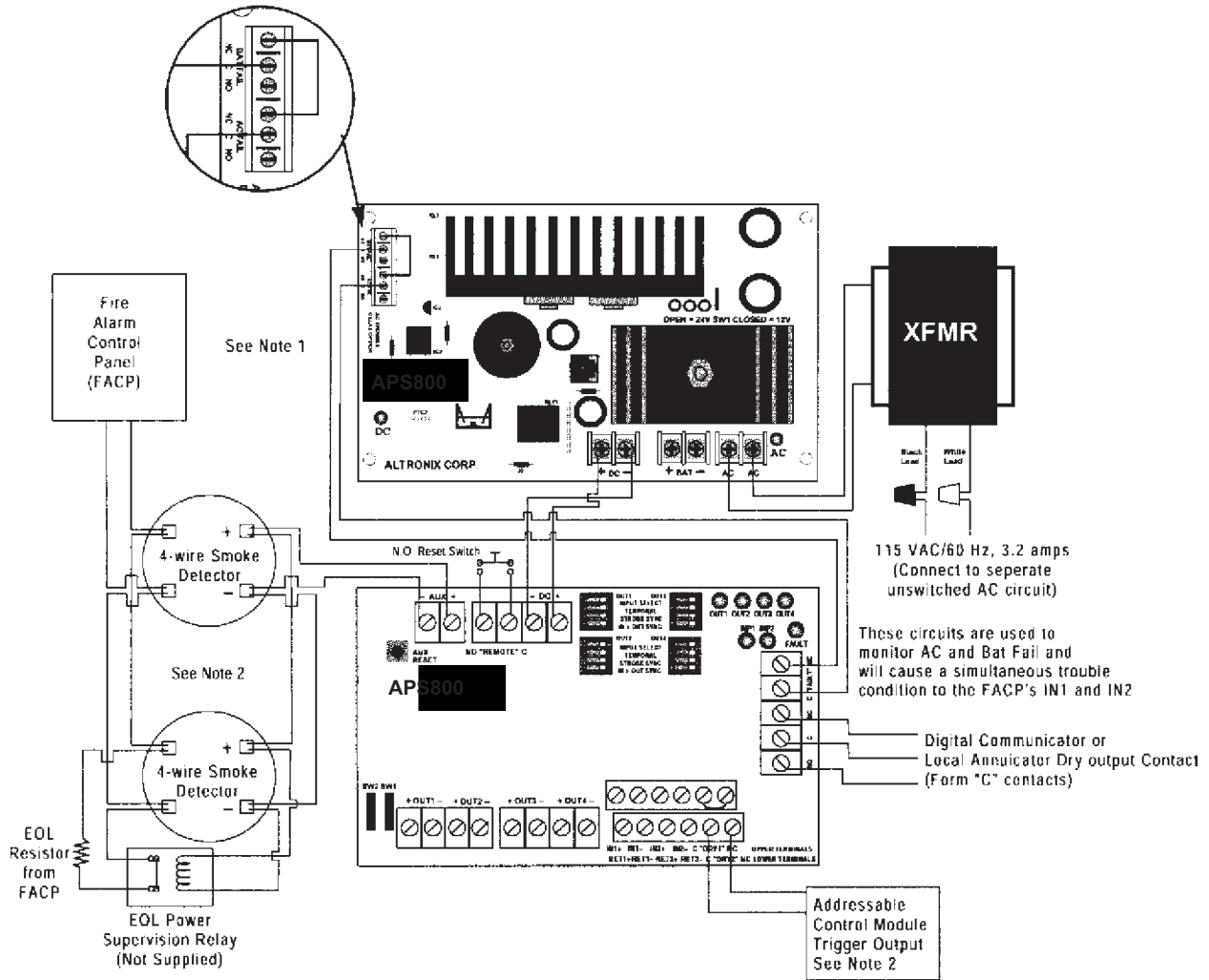
Style Y Class B Hookup



Style Z Class A Hookup



**Optional Hookup Diagram**

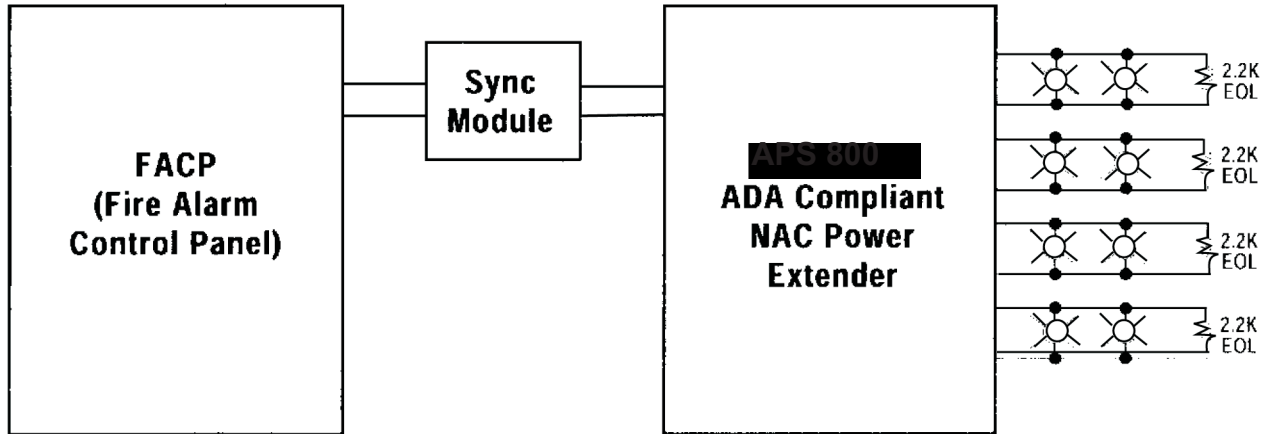


**APS800 Notification Appliance Circuit Power Supply**

**Typical Sync Module hookups**

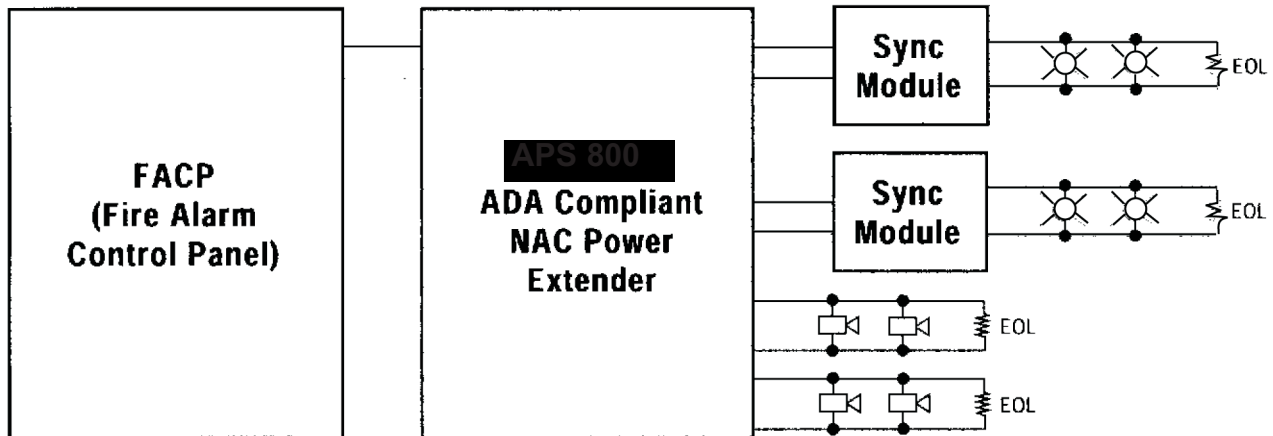
Synchronization using (1) synchronization module with four (4) outputs.

**Note:** When using this configuration you must enable the Input to Output Follower Mode (Dip Switch 1 ON) and disable the Strobe Sync Mode (Dip Switch 2 OFF).



Synchronization using multiple synchronizatin modules.

**Note:** When using this configuration you must disable the Input to Output Follower Mode (Dip Switch 1 OFF) and disable the Strobe Sync Mode (Dip Switch 2 OFF).



<b>Legend</b>	Horn	Strobes	
---------------	------	---------	--

NOTICE: The information contained in this document is intended only as a summary and is subject to change without notice. The devices described in this document have specific instruction sheets which cover various technical, limitation and liability information. Copies of these instruction sheets and the General Product Warning and Limitations Document, which also contains important information are provided with the product and are available from Harrington Signal Inc. Fire Alarm. Information contained in these documents should be consulted before specifying or using the product. For further information or assistance concerning particular problems contact Harrington Signal Inc. Harrington Signal Inc. Fire Alarm reserves the right to change specifications without notice. Quality OEM manufactured for Harrington Signal Inc. Fire Alarm by Altronix.