



**CTM/CTME**  
Local Energy City Tie Module

Harrington Signal Inc.  
2519 4th Avenue, Moline, Illinois 61265  
P.O. Box 590, Moline, Illinois 61266-0590  
Phone: (800) 577-5758 Local: (309) 762-0731 Fax: (309) 762-8215  
Internet: www.harringtonfire.com



**FEATURES**

- UL Listed 864, File S3610
- For use with HS-3400 & HS-3030 Fire Alarm Control Panels
- Interfaces with a local city tie box
- Connects easily to a Harrington Signal HS-3030 or HS-3400 Fire Alarm Control Panel.
- Available as stand alone module or with red, surface mount enclosure.

**DESCRIPTION**

The Model CTM is designed to interface between a fire alarm control panel and a local city tie box. This module is intended for connection to a control unit (Model HS-3030 or HS-3400) at the protected premises.



**CTM**  
Local Energy City Tie Module



**CTME**  
Local Energy City Tie Module Enclosure, red surface mount

**ORDERING INFORMATION**

Model Number	Part Number	Description
CTM	010-1582	Local Energy City Tie Module
CTME	327-0089	Local Energy City Tie Module Enclosure, red surface mount, 6x6x4, 18 gauge

**CTM/CTME Local Energy City Tie Module**

**TECHNICAL DATA**

City Tie Module

Operating Voltage ..... 24VDC  
 Standby Current ..... 2mA  
 Alarm Current\* ..... 1.5 A (Less then 10 milliseconds)  
 UL Listed ..... File S3610

City Tie Box

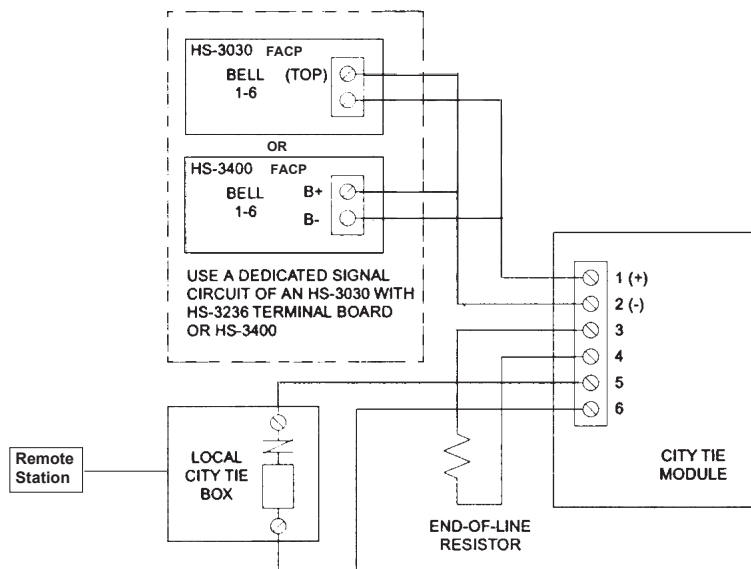
Series type  
 Coil Resistance ..... 14.5 ohms

Control Panel

Harrington Model ..... HS-3030 with HS-3236 Terminal Board  
 or HS-3400  
 Connection ..... Signal Circuit  
 End-of-line resistance ..... 10K ohms

\* Alarm current shown is for Harrington Model DC-2A Master Box.

**Wiring Diagram for Connection to 24Vdc Signal Circuit**



- NOTES:  
 1) ALL CIRCUITS ARE POWER LIMITED AND SUPERVISED  
 2) SIGNAL CIRCUIT POLARITY SHOWN IS IN STANDBY CONDITION  
 3) ALSO SEE INSTALLATION MANUALS FOR HS-3030/3400 AND LOCAL CITY TIE BOX

NOTICE: The information contained in this document is intended only as a summary and is subject to change without notice. The devices described in this document have specific instruction sheets which cover various technical, limitation and liability information. Copies of these instruction sheets and the General Product Warning and Limitations Document, which also contains important information are provided with the product and are available from Harrington Signal Inc. Fire Alarm. Information contained in these documents should be consulted before specifying or using the product. For further information or assistance concerning particular problems contact Harrington Signal Inc. Harrington Signal Inc. Fire Alarm reserves the right to change specifications without notice. Quality manufactured by Harrington Signal Inc.