

Because Lives, Property and Businesses aren't Fireproof.



## Series HAVE 100

Advanced Voice Evacuation System

Harrington Signal Inc.  
 2519 4th Avenue, Moline, Illinois 61265  
 P.O. Box 590, Moline, Illinois 61266-0590  
 Direct: (800) 577-5758 Phone: (309) 762-0731 Fax: (309) 762-8215  
 Internet: www.harringtonsignal.com



### Features

- Dead-front construction
- Digitally recorded automatic evacuation message (Special order up to 4 minutes of message capacity)
- 25/50 Watt bullet-proof amplifiers
- 25 or 70 VRMS field selectable
- 120 VAC power supply and battery charger
- Live microphone override of message and tone
- High reliability, no maintenance, fully supervised
- Easy installation and operation
- Natural sound recordings
- Built in alarm and alert signals
- Works with 12 VDC or 24 VDC fire alarm panel
- Works with analog/addressable and conventional fire alarm panels
- 3 minute message restart on microphone key
- 24 hour backup with four 12V 7Ahr batteries
- Made in the USA

### Applications

The HAVE100 panel provide 100Watts of speaker power respectively.

Speaker zones can be configured for general alarm or alarm by zone operation as required.

Digital message repeater, microphone, 120 VAC power supply and battery charger are all built in.

HAVE voice evacuation panels can be configured for churches, restaurants, movie theaters, auditoriums and high rise buildings. The HAVE100 panel are an attractive surface or semi-flush mounted back boxes, with a hinged and key locked door.



Advanced Voice Evacuation  
HAVE100

HAVE100 shown with key locked door removed

### Available Models

Model Number	Part Number	Watts	Speaker Zones	Class	Digital Message	Paging Microphone	Cabinet
100HAVE	335-1000	100	1 *	B/A	Yes	Yes	Yes
100HAVE-8Z	335-1000Z8	100	8	B/A	Yes	Yes	Yes
100HAVE-12Z	335-1000Z12	100	12	B/A	Yes	Yes	Yes
100HAVE-16Z	335-1000Z16	100	16	B/A	Yes	Yes	Yes

\* Consists of 1 zone all call with two separately wired speaker circuits.

**Example:** Model Number Part Number

100HAVE - 335-1000

Series

# Series HAVE100

## Architect & Engineering Specifications

The voice evacuation system shall be Harrington Signal Inc. Series HAVE100 or approved equal.

The voice evacuation system shall be micro-processor based, and shall contain an integral microphone, audio amplifier, tone generator and digital message repeater.

A 120 VAC power supply and battery charger for standby batteries shall be included.

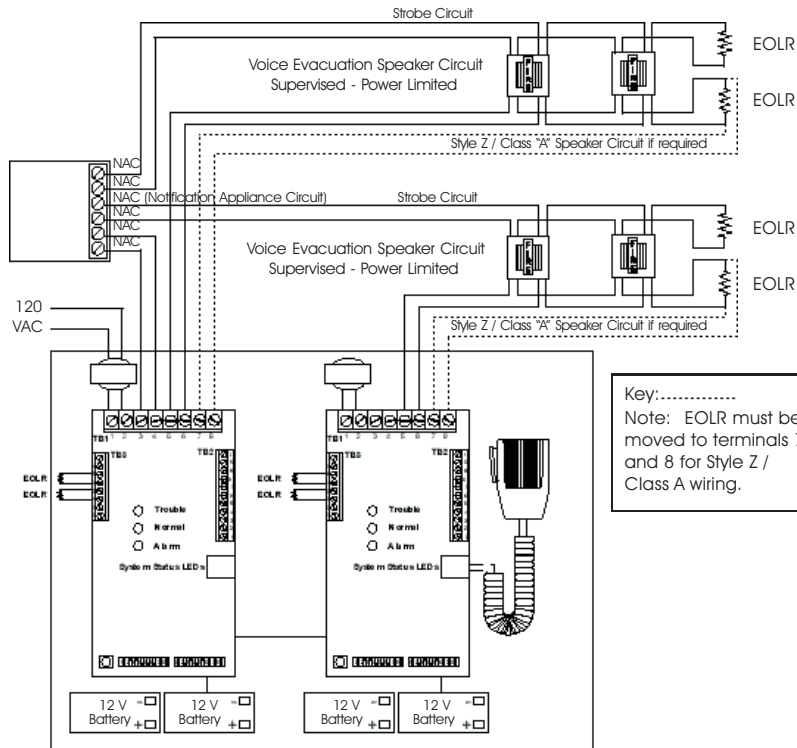
The voice evacuation message/signal shall be broadcast until the FACP is reset, or until fire emergency personnel interrupt the broadcast with a manual page. Remote paging microphone(s) will be supported through a supervised circuit.

## Dimensions

Cabinet dimensions are: 14.5" x 27" x 4" w-h-d.

# Advanced Voice Evacuation System

Wiring Diagram HAVE100 Series



## Standard Message - 15 Seconds:

"Attention Please, there has been a report of an emergency. Proceed calmly to the nearest exit and leave the building immediately. Do not use the elevators, use stairwells where necessary. All handicapped occupants shall use the building evacuation plan."

Note: Other custom messages available by special order.

## Technical

Module	Characteristic	Description
M50	Primary Power	120VAC @ 0.6A
	24 VDC Battery Power	0.13A Standby
	Output	1.0A Alarm 50 Watts @ 25/70 VRMS Tone and Voice
M25	Primary Power	120VAC @ 0.8A
	24 VDC Battery Power	0.18A Standby
	Output	1.0A Alarm 25 Watts @ 25/70 VRMS Tone and Voice
HAVE100	Backbox Dimension	14.5" w x 27" h x 4" d
	Color	Red - Standard

NOTICE: The information contained in this document is intended only as a summary and is subject to change without notice. The devices described in this document have specific instruction sheets which cover various technical, limitation and liability information. Copies of these instruction sheets and the General Product Warning and Limitations Document, which also contains important information are provided with the product and are available from Harrington Signal Inc. Fire Alarm. Information contained in these documents should be consulted before specifying or using the product. For further information or assistance concerning particular problems contact Harrington Signal Inc. Harrington Signal Inc. Fire Alarm reserves the right to change specifications without notice.