

Series HAVE25 Advanced Voice Evacuation System

will cause a "Trouble" condition which will be reported locally, as well as through the FACP.

The HAVE25 is housed in an attractive surface or semi-flush mounted backbox, with a hinged and key locked door.

Architect & Engineering Specifications

The voice evacuation system shall be Harrington Signal Inc. Series HAVE25 or approved equal.

The voice evacuation system shall provide 25 watts voice/tone power, and shall be UL Listed.

The voice evacuation system shall be micro-processor based, and shall contain an integral microphone, 25-watt audio amplifier, tone generator and digital message repeater, 120 VAC power supply and battery charger.

The voice evacuation message / signal shall be broadcast until the Fire Alarm Control Panel (FACP) is reset, or until fire emergency personnel interrupt the broadcast with a manual page. On reset the system shall automatically return to standby (normal operating) condition.

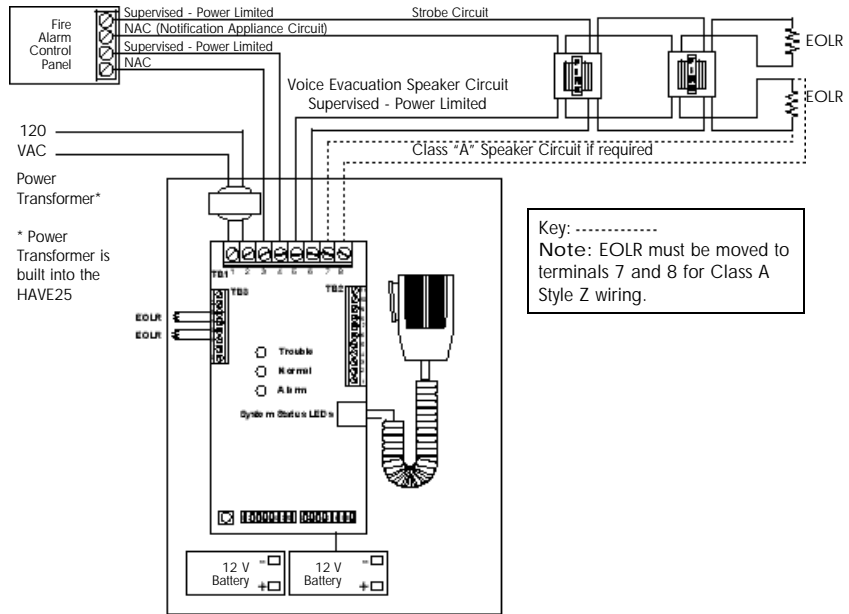
A secondary message shall be provided which can be triggered by the closure of a contact from either the FACP or from any normally open contact device.

Remote paging microphone(s) will be supported by the system through a supervised circuit. Remote microphone(s) may be mounted up to 5000 feet away from the voice evacuation panel.

Dimensions

Cabinet dimensions are: 14.5" x 18" x 4" w-h-d.

Wiring Diagram HAVE25 Series



Standard Message - 15 Seconds:

"Attention Please, there has been a report of an emergency. Proceed calmly to the nearest exit and leave the building immediately. Do not use the elevators, use stairwells where necessary. All handicapped occupants shall use the building evacuation plan."

Technical

Series	Characteristic	Description
HAVE25	Primary Power	120VAC @ 0.8A
	24 VDC Battery Power	0.18A Standby 1.0A Alarm
	Output	25 Watts @ 25/70 VRMS Tone and Voice
	Backbox Dimension	14.5" w x 18" h x 4" d
	Color	Red

NOTICE: The information contained in this document is intended only as a summary and is subject to change without notice. The devices described in this document have specific instruction sheets which cover various technical, limitation and liability information. Copies of these instruction sheets and the General Product Warning and Limitations Document, which also contains important information are provided with the product and are available from Harrington Signal Inc. Fire Alarm. Information contained in these documents should be consulted before specifying or using the product. For further information or assistance concerning particular problems contact Harrington Signal Inc. Harrington Signal Inc. Fire Alarm reserves the right to change specifications without notice.