

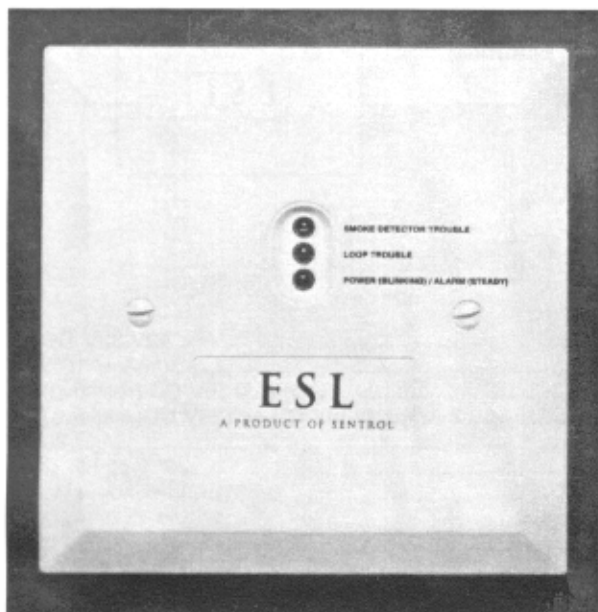


HARRINGTON
SIGNAL INC.
FIRE ALARM

505 Series

**ESL 521 SERIES SMOKE DETECTOR
CLEANME™ INTERPRETER & 2 TO 4
WIRE INPUT CONVERTER MODULE**

Harrington Signal Inc.
2519 4th Avenue, Moline, Illinois 61265
P.O. Box 590, Moline, Illinois 61266-0590
Direct: (800) 577-5758 Phone: (309) 762-0731 Fax: (309) 762-8215
Internet: www.harringtonsignal.com



Model number: 505



- Interprets ESL 521 smoke detector CleanMe™ signal for any panel
- Allows central station to be notified when 521 needs to be cleaned
- Converts any ESL 2 wire smoke detector to 4 wire inputs of any panel
- 3 diagnostic LEDs
- Ensures 2 wire compatibility with any control panel

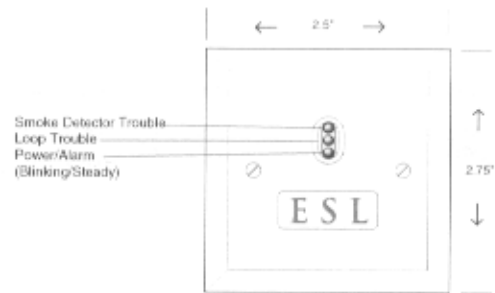
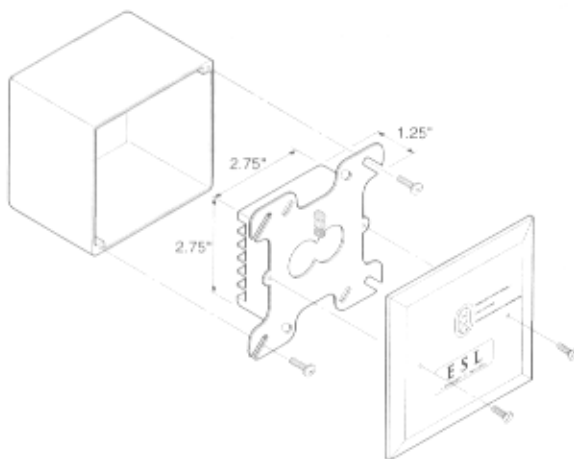
The ESL 505 module serves as an interface between the ESL 521 series low profile self-diagnostic smoke detector and a UL Listed 12/24V DC control panel. The 505 is able to interpret the 521 series trouble (CleanMe™) signal and provide an output to the control panel via relays. This signal allows users to receive a message locally (visual LEDs) and remotely at the central station that the 521 needs maintenance, such as cleaning, before a false alarm occurs. The 505 also indicates a "smoke detector trouble" signal if any hardware fault is detected. Depending on how the 505 is wired, the CleanMe™ signal can be sent to a separate panel zone or enunciated as a general fire trouble. If shown as a general fire trouble, the diagnostic LEDs on the module can be used to determine whether the trouble is a dirty smoke detector in need of servicing or loop fault.

The 505 module's interpretation of a 521 Series CleanMe™ signal can be read by any alarm control panel.

Another feature of the 505 Module is that it can be used to convert any ESL two-wire smoke detector to four-wire inputs on any control panel. This is especially useful on retrofit applications and for panels that do not have two-wire smoke detector capabilities.

505 Series

ESL 521 Series Smoke Detectors CleanMe™ Interpreter & 2 to 4 Wire Input Converter Module



PRODUCT DATA

Powered from panels auxiliary power supply

Operation Voltage	12V-33V DC
Alarm Current	50mA +/-10%
Form A contacts	500mA @36V CD (resistive)
Form C contacts	2 Amps @28V CD or 120V CD(resistive)
Number of detectors/module	20
Operating Temperature	-20° C to 55° C
Humidity	0-95% non-condensing
RFI Immunity20V/M @ 0-1 ghz
Static Immunity	25,000 V
Transient Immunity	2500 V@ 1.5J
Color	white/white
Mounting	Mountable to 4" square, double gang boxes
Material	Flame retardant plastic cover (UL-94V-O)
Field wiring size	12-24 AWG

DIMENSIONS

Black Box	2.75" (7.0 cm) H X 2.5" (6.4 cm) W X 1.25" (3.2 cm) D
Plate	5" X 5"

Ordering Information

Model Number	Description
505	Module that interprets the 521's CleanMe™ signal for any panel and can convert 2-wire 521 Series detectors to 4-wire inputs on these panels
521B	2-wire, photoelectric, 6-24 V DC
521BXT	2-wire, photoelectric, 6-24 V DC, multi-criteria algorithms, fixed/rate of rise heat
521CRXT	2-wire, photoelectric, 12-24 V DC, aux. relay, multi-criteria algorithms, fixed/rate of rise heat

NOTICE: The information contained in this document is intended only as a summary and is subject to change without notice. The devices described in this document have specific instruction sheets which cover various technical, limitation and liability information. Copies of these instruction sheets and the General Product Warning and Limitations Document, which also contains important information are provided with the product and are available from Harrington Signal Inc. Fire Alarm. Information contained in these documents should be consulted before specifying or using the product. For further information or assistance concerning particular problems contact Harrington Signal Inc., Harrington Signal Inc. Fire Alarm reserves the right to change specifications without notice.