



Harrington Signal, Inc.
 2519 4th Avenue, Moline, Illinois 61265
 Phone (309) 762-0731 * Fax (309) 762-8215 * (800)577-5758

<http://www.HarringtonFire.com> / e-mail: wruud@HarringtonSignal.com

MBA Series Indoor/Outdoor Fire Alarm DC Motor Driven Bells

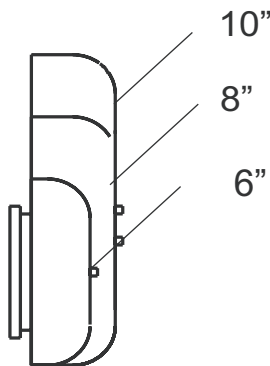
Description:

Harrington's MBA Series Indoor/Outdoor bells utilize a specially designed gong, that gives out a loud mechanical resonant tone. This improvement is designed to make the whole series more effective and provide performance and dependability at a low current consumption. The bell design incorporates a micro-motor with built-in varistor suppression element, to reduce RFI and EMI interference found in today's highly integrated microprocessor driven control panels. The terminal design makes it convenient when wiring or troubleshooting. The design features as a result saves you time and provides a more effective installation for maximum performance. The MBA series bells are made available in 6", 8" and 10" gong size and are painted red to enhance its appearance and provide a long durability.

Application:

The MBA series bells is recommended for use Indoors or Outdoors in areas such as: schools, corridors, apartments, office buildings, hotels, and any other application where effective audible warning is required and approved by Federal, State, or local authority having jurisdiction.

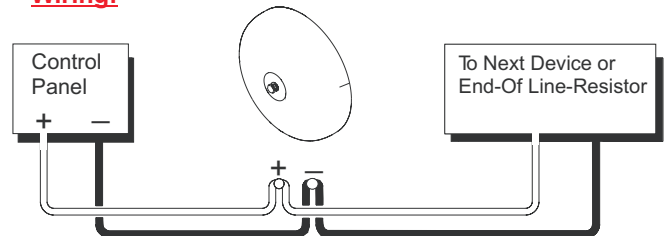
Gong Size 6, 8, and 10 inch:



Features:

- * Indoor / Outdoor motor driven design
- * UL Listed for fire protective service
- * Polarized models with wide listed voltage range using filtered DC or unfiltered FWR input voltage.
- * Terminals for fast in/out field wiring.
- * High sound dB output with low current draw.
- * Built-in trim plate for a clean flush mount installation.
- * All models mount to a 4" square back box.
- * A complete range of gong sizes 6", 8", and 10".
- * Input terminals for field wiring using AWG 12 to 18.
- * RFI and EMI noise suppression element built-in.
- * Red color only.

Wiring:



WARNING:
 Conductor Size (AWG), Length and capacity should be taken into consideration prior to design and installation of these products, particularly in retrofit installations.

Ordering Information:

Model Number	Gong Size	Rated Voltage (VDC)	Rated Current (Amps)	Operating Range (VDC)	UL Rating (dBA)	Indoor Measurement (dBA)	Operating Temperature Range
MBA-6-24	6"	24	0.012	16 ~ 33	87	86 ~ 89	32°F ~ 120°F (0° C ~ 49° C)
MBA-8-24	8"	24	0.025	16 ~ 33	87	90 ~ 93	
MBA-10-24	10"	24	0.023	16 ~ 33	91	92 ~ 94	

Engineering Specifications:

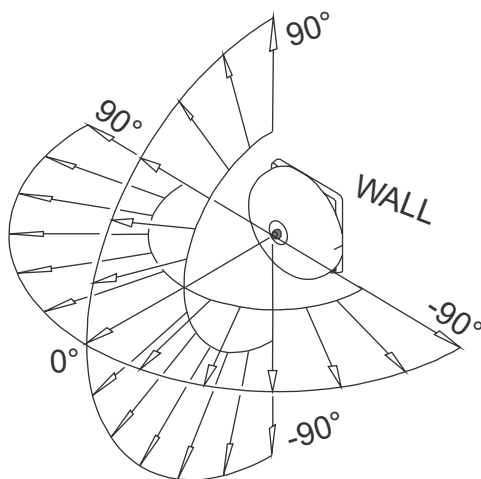
The alarm indicating appliance shall be Harrington model MBA-Series or equivalent device. The Bell shall be listed for Indoor and Outdoor under UL Standard and shall be approved for fire protective service. The typical dB output shall be 87 ~ 91dB. The signaling device shall operate on 24VDC from a non-coded regulated DC supply or full-wave rectified, unfiltered supply. The signaling device shall be designed to produce an indoor dB signal output of 86 ~ 94 with continuously applied minimum voltage. The signaling device shall be capable of mounting to a 4" x 4" x 1-1/2" standard back box.

Specifications:

Model Number	Gong Size	Rated Current / Sound Output												
		16VDC				24VDC				33VDC				
		UL		Typical	UL		ULC	Typical	UL		Typical			
DC mA.	FWR mA.	dB	dB	DC mA.	FWR mA.	dB	dB	dB	DC mA.	FWR mA.	dB	dB		
MBA-6-24	6"	7.0	8.0	77	81	12.1	12.4	83	85	87	13.5	24.2	85	89
MBA-8-24	8"	13.0	15.6	76	80	25.0	30.6	83	85	87	40.0	43.9	86	90
MBA-10-24	10"	11.0	13.6	79	83	23.0	26.8	84	85	91	34.0	46.0	87	91

Horizontal Dispersion:

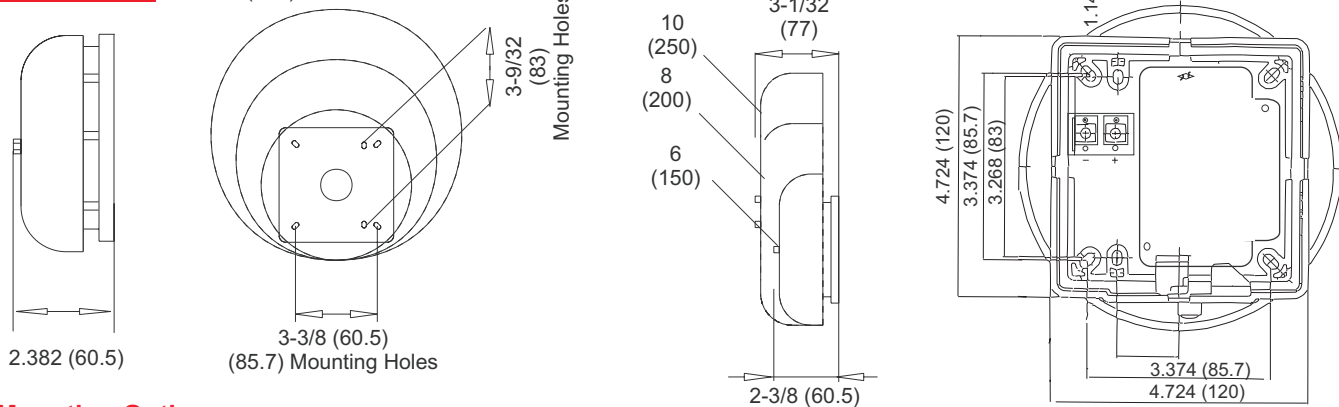
Angle	6"dB/m	8"dB/m	10"dB/m
-90	-5.1	0.3	3.4
-75	-4.3	0.8	4.8
-60	-1.9	1.8	4.5
-45	1.4	0.8	1.3
-30	-3.4	-0.6	-1.0
-15	-4.5	-2.1	0.0
0	0.0	0.0	0.0
15	-4.0	-0.9	0.8
30	-3.0	-3.3	-1.3
45	-1.5	-0.4	1.9
60	-2.9	1.8	2.9
75	-2.1	1.8	2.9
90	-1.8	-1.0	2.9



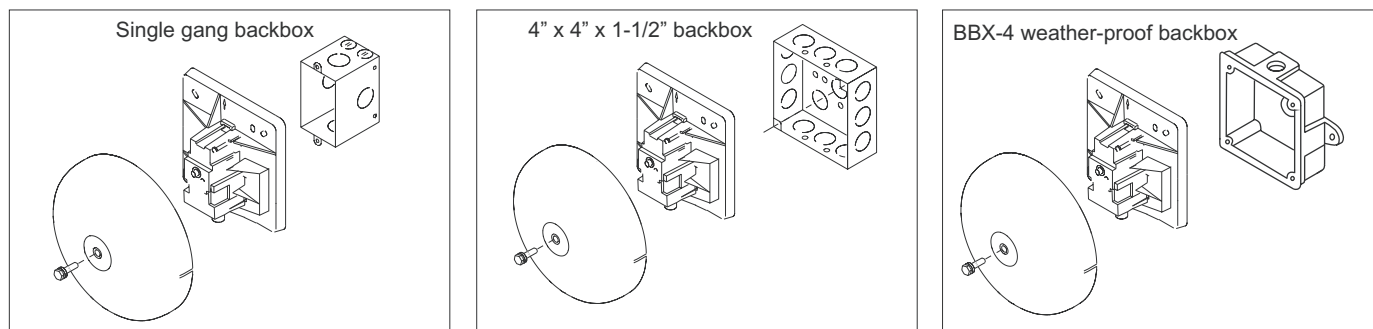
Vertical Dispersion:

Angle	6"dB/m	8"dB/m	10"dB/m
90	-4.2	0.5	2.0
75	-0.5	0.8	2.6
60	2.2	1.0	3.8
45	-2.2	-0.5	2.8
30	-3.7	-1.2	0.2
15	-0.9	-3.4	-0.3
0	0.0	0.0	0.0
-15	-0.4	0.3	-0.3
-30	-1.2	-0.4	0.8
-45	-4.4	3.1	3.0
-60	-5.0	2.0	6.0
-75	-5.0	2.2	3.9
-90	-5.9	0.5	2.3

Dimensions: Inches (mm)



Mounting Options:



* Due to continuous development of our product line, specifications are subject to change without notice.