



Harrington Signal, Inc.
 2519 4th avenue, Moline, Illinois 61265
 Phone (309) 762-0731 * Fax (309) 762-8215 * (800)577-5758

<http://www.HarringtonFire.com> / e-mail: wruud@HarringtonSignal.com

PBA Series Vibratory Indoor /Outdoor AC Driven Fire Alarm Bells



Description:

Harrington's PBA Series is conventional type two coil assembled vibratory bells, it utilizes a specially designed gong that gives out a loud mechanical resonant tone. This improvement is designed to make the whole series more effective and provide performance and dependability at a low current consumption.

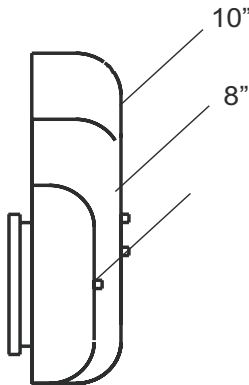
The terminal design makes it convenient when wiring or trouble-shooting. The design features as a result saves you time and provides a more effective installation for maximum performance.

The PBA series bells are made available in 6", 8" and 10" gong size and are painted red to enhance its appearance and long durability.

Application:

The PBA series bells is recommended for use in areas such as: schools, corridors, apartments, office buildings, hotels, and any other application where effective audible warning is required and approved by Federal, State, or local authority having jurisdiction.

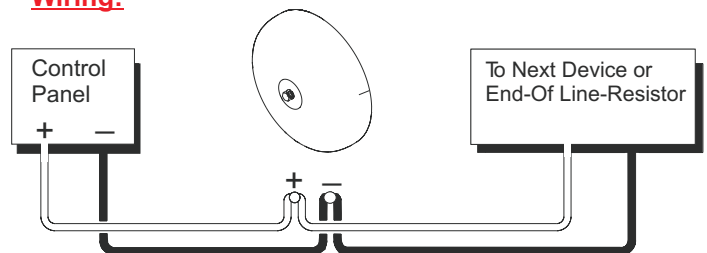
Gong Size 6, 8, and 10 inch:



Features:

- * Indoor/Outdoor wall mount design
- * Meets ULC temporal pattern sound
- * UL listed for fire protective service
- * Two coil vibratory mechanism models with wide listed input voltage range
- * Terminals for fast in/out field wiring.
- * High sound dB output with low current draw.
- * Built-in trim plate for a clean flush mount installation.
- * All models mount to a 4"x4" square back box.
- * A complete range of gong sizes 6", 8", and 10".
- * Input terminals for field wiring using AWG 12 to 18.
- * Red color only.

Wiring:



WARNING: Conductor Size (AWG), Length and capacity should be taken into consideration prior to design and installation of these products, particularly in retrofit installations.

Ordering Information:

Model Number	Gong Size	Rated Voltage (VAC)	Rated Current (Amps)	Operating Voltage Range (VAC)	UL Rating (dBA)	Indoor Measurement (dBA)	Operating Temperature Range
PBA-6-24	6"	24	0.210	16 ~ 33	83	86 ~ 89	32 F ~ 120 F (0 C ~ 49 C)
PBA-8-24	8"	24	0.210	16 ~ 33	83	90 ~ 93	
PBA-10-24	10"	24	0.210	16 ~ 33	84	92 ~ 94	
PBA-6-120	6"	120	0.052	96 ~ 132	82	86 ~ 89	
PBA-8-120	8"	120	0.052	96 ~ 132	85	90 ~ 93	
PBA-10-120	10"	120	0.052	96 ~ 132	83	92 ~ 94	

Engineering Specifications:

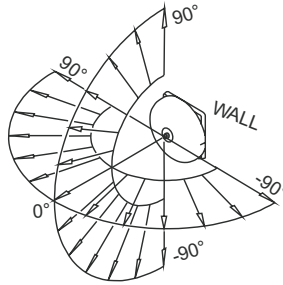
The alarm indicating appliance shall be Harrington model PBA-Series or equivalent device. The Bell shall be listed under UL standard and shall be approved for fire protective service. The dB output shall be 84 ~ 85dB. The signaling device shall be designed for Indoor/Outdoor installation and operate on 24V AC or 120V AC models. The signaling device shall be designed to produce an indoor dB signal output of 86 ~ 94 with continuously applied minimum voltage. The signaling device shall be capable of mounting to a 4" x 4" x 1-1/2" standard backbox.

Specifications:

Model Number	Gong Size	Rating Current Draw (mA RMS)						UL dB Rating (dB)					
		16VAC	24VAC	33VAC	96VAC	120VAC	132VAC	16VAC	24VAC	33VAC	96VAC	120VAC	132VAC
PBA-6	6"	130	210	340	36	52	60	71.3	83.2	86.4	76.7	81.5	83.6
PBA-8	8"							68.9	83.3	87.7	78.6	85.3	84.8
PBA-10	10"							68.9	84.2	87.0	78.4	83.4	84.6

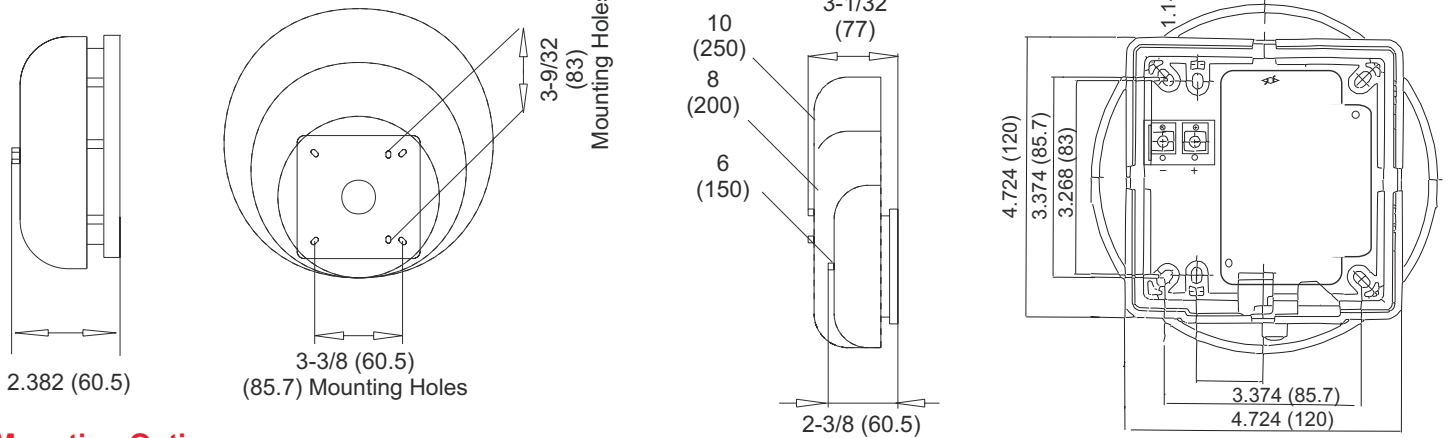
Horizontal 24VAC				Vertical			
Angle	6"dB/m	8"dB/m	10"dB/m	Angle	6"dB/m	8"dB/m	10"dB/m
-90	-6.5	0.5	-2.0	90	-3.3	2.5	1.3
-75	-6.6	0.9	-2.8	75	-1.8	-1.0	1.9
-60	-3.5	0.7	-2.0	60	-0.5	-1.7	0.3
-45	0.0	-0.1	-2.5	45	1.1	0.5	1.8
-30	-3.5	-1.5	-5.0	30	-1.8	0.6	1.1
-15	-2.7	0.5	-1.9	15	-1.1	0.3	-0.4
0	0.0	0.0	0.0	0	0.0	0.0	0.0
15	-2.5	-2.5	-1.5	-15	-3.3	0.6	0.0
30	-3.5	-2.0	-2.5	-30	-6.3	-0.5	3.0
45	-1.0	-1.2	-1.0	-45	-4.3	4.6	2.1
60	-1.5	-1.4	0.0	-60	-6.2	7.0	4.3
75	-1.6	-0.5	-1.9	-75	-5.8	5.4	3.1
90	-2.0	-0.5	-0.7	-90	-6.3	3.0	2.8

Horizontal and Vertical Dispersion



Horizontal 120VAC				Vertical			
Angle	6"dB/m	8"dB/m	10"dB/m	Angle	6"dB/m	8"dB/m	10"dB/m
90	-1.0	-0.3	1.0	90	-3.0	0.5	-0.5
75	-1.5	1.0	0.8	75	-0.5	1.5	0.0
60	0.0	-0.5	2.5	60	0.3	2.2	1.7
45	-1.0	-1.5	1.5	45	0.0	2.0	1.0
30	-3.5	-3.0	-1.0	30	-2.2	-1.0	-1.0
15	-2.5	-3.0	-1.5	15	1.3	-0.5	-1.2
0	0.0	0.0	0.0	0	0.0	0.0	0.0
-15	-1.0	-0.5	-0.5	-15	-1.7	-1.3	-1.0
-30	-2.8	-1.7	-1.7	-30	-2.5	2.0	-2.0
-45	0.5	-1.5	0.0	-45	-4.0	3.0	2.5
-60	0.5	0.0	1.0	-60	-4.5	3.0	3.0
-75	0.0	0.0	0.5	-75	-3.5	3.5	1.7
-90	-0.5	-0.5	1.5	-90	-7.0	1.5	2.5

Dimensions: Inches (mm)



Mounting Options:

